



# 800 SERIES FRYER

2 baskets, split pan

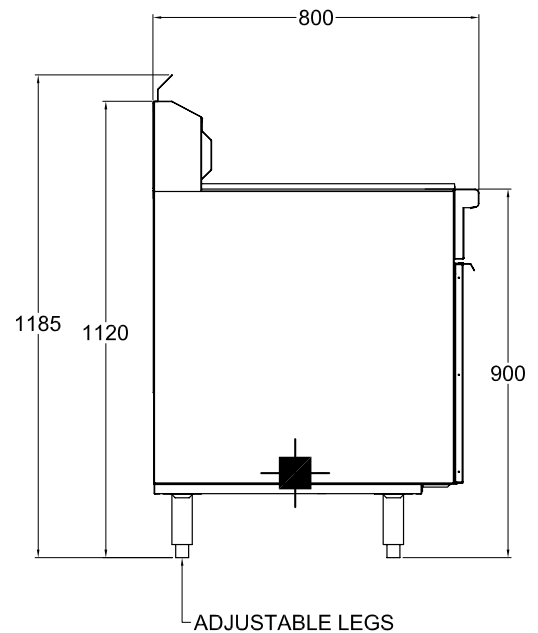
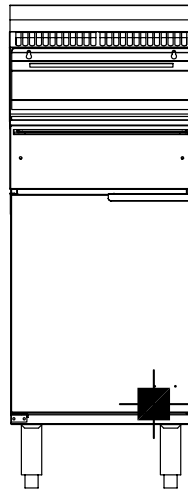
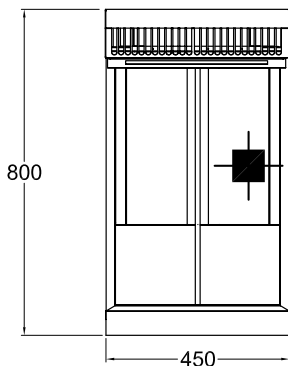
## VFGTL - Gas

- "V" pan fryer combines high energy efficiency, quick response and recovery and cooking flexibility
- +/- 2°C precision thermostat for optimum control
- Rapid heating response and continuous pilot ignition
- Stainless steel pan for easy cleaning
- Cover/joiner strips available for multi-unit installations
- Large cool zone for long oil life
- Line-up nosing

### Other options

Night lid

Cover/joiner strips



## VFGTL 2 baskets, split pan

### SPECIFICATION

<b>Dimensions (WxDxH)</b>	450 x 800 x 1120 mm
<b>Working height</b>	900 mm (±20 mm)
<b>Pan Size (WxDxH)</b>	176 x 353 x 300 mm (2 off)
<b>Capacity</b>	16 L per pan

3/4" BSP Gas Connection

<b>Gas Connection</b>	3/4" BSP
<b>Rating</b>	105 MJ
<b>Weight</b>	80 kg
<b>Packed</b>	0.5 m <sup>3</sup>

Australia's premier food service  
equipment manufacturer

[middleby.com.au](http://middleby.com.au)

211-217 Woodpark Road, Smithfield NSW 2164  
1800 013 123 | +61 2 9604 7333

 **MIDDLEBY AUSTRALIA**

